

PM 2.8



truck mounted cranes



TECHNICAL DATA

It is the ideal model for light-weight loading operations. Supplied with **manual controls** it is ready fitted with several options that will improve its performance in terms of power, productivity and reliability. It is available up to 3 hydraulic extensions reaching 7.50m horizontally and 10.10m vertically.

STANDARD CONFIGURATION

SLEWING BY RACK

EXTERNAL MECHANICAL
SLEWING LIMITER

HYDRAULIC FLIP UP
OUTRIGGERS

MANUAL PULL-OUT
OUTRIGGER BOOMS

SAFETY KIT FOR OUTRIGGERS



PM 2.8



truck mounted cranes

OPTIONAL

OIL COOLER

OIL TANK

HYDRAULIC MOMENT CONTROL DEVICE

ANCHORAGE KIT FOR ACCESSORIES

SLEWING VALVE BLOCK



Hydraulic moment control device



Anchorage kit for accessories

EQUIPMENTS SUMMARY

Equipments	Standard	Option
Slewing by rack	<input type="radio"/>	
Manual pull-out outrigger booms	<input type="radio"/>	
Manual flip-up outrigger	<input type="radio"/>	
Oil cooler		<input type="radio"/>
Hose reel		<input type="radio"/>
Safety Kit for outriggers*	<input type="radio"/>	
4 metres alarm sensor with control panel in cab *		<input type="radio"/>
Ball-joint outrigger plates *		<input type="radio"/>
External mechanical slewing limiter	<input type="radio"/>	
Hydraulic moment control device		<input type="radio"/>
Slewing valve block		<input type="radio"/>
Anchorage kit for accessories		<input type="radio"/>
Oil tank		<input type="radio"/>

*compulsory for CE area

CERTIFICATION



In accordance to the EU safety standards



3 years of warranty on the structural parts



Quality Certificate UNI EN ISO 9001:2008



In accordance to H1-B3 standard

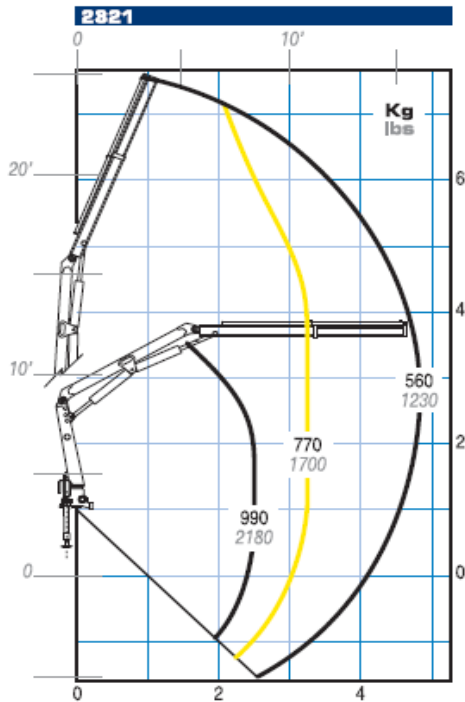


Certified painting system

PM 2.8

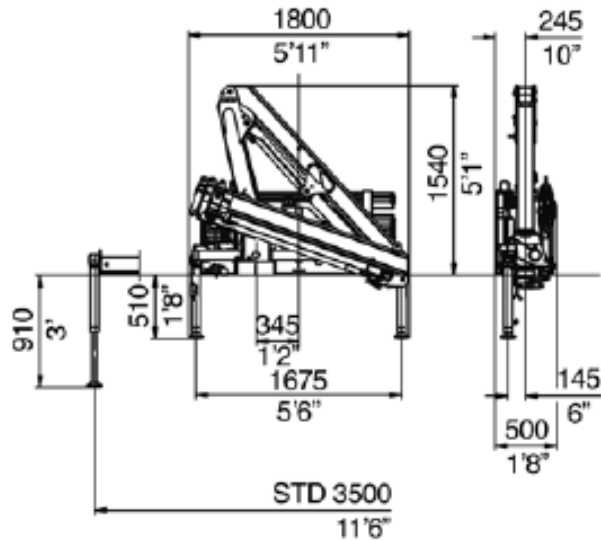


truck mounted cranes



Max. capacity from horizontal to vertical

DIMENSIONS Standard Crane



TECHNICAL INFORMATION PM 2821

Maximum lifting moment	tm 2,5 ft lbs 18230
Max. hydraulic reach	
horizontal	m 4,70 ft 15'5"
Vertical	m 7,50 ft 24'7"
Hydraulic system	
recommended oil flow	l/min 12 gals/min 3
rated pressure	Mpa 23 Psi 3340
tank capacity	l 25 Gals 7
Slewing system	
slewing angle	360°
slewing moment	kNm 3,2 ft lbs 2360
max. working heel	%(°) 8,7(5)
Standard crane weight	
empty oil tank	Kg 395 lbs 870

Technical data can be revised without prior notice.

TRUCKING CRANE COMBINATION

PTT/GVW	2.8
3,5 TON	2 STD
5,0 TON	2 STD
6,0 TON	2 STD
6,5 TON	2 STD
7,5 TON	2STD
8 TON	2STD
10TON	2STD
12 TON	2STD
13,5TON	2STD
15TON	2STD
18 TON	2STD
19 TON	2STD
26 TON	2STD
32 TON	2STD



2 outriggers STD

PTT: G.V.W.