

PM 23.5 SP



truck mounted cranes



DESCRIPTION TECHNICAL FEATURES

These are top-of-the-range medium-tonnage cranes. Thanks to its innovative design, the 23.5SP series combines light weight and impressive outreach; the standard machine is available in versions featuring up to 7 extensions. The articulated joint, featuring the exclusive PM Rod system, guarantees extremely constant lifting curves and top performance in any operating configuration. The perfect control of the load is guaranteed by the extra 15° negative stroke on the secondary arm.

STANDARD CONFIGURATION

FRONT COUPLINGS ON CYLINDERS

A guarantee against oil leaks of high mechanical safety.

REGENERATIVE VALVE

Maximum extension speed.

CONTROL VALVE BLOCK COMPENSATED PVG 32

SLIDING PADS TO GUIDE AND SLIDE THE EXTENSION BOOMS

Externally fitted sliding pads guarantee easy maintenance.

CDS LOW PRESSURE CONTROL SAFETY VALVES

Totally accurate movements and no oscillations.

POWER TRONIC

Maximum crane Performance and Maximum Safety in all operating position.

CAST IRON ROTATION UNIT

Structural optimisation of the rotation unit for intensive uses.

RADIO REMOTE CONTROL MULTIFUNCTION WITH DISPLAY

DOUBLE LINK



Sliding pads to guide and slide the extension boom



Regenerative valve



CDS low pressure control safety valves



Radio remote control multifunction with display



Double link

PM 23.5 SP

OPTIONAL

OIL COOLER WITH BYPASS

HYDRAULIC SLEWING DEVICE 180° FOR OUTRIGGERS

ELECTRONICALLY CONTROLLED WINCH WITH LOAD CAPACITY FROM 1200 TO 2500 KG

EQUIPMENTS SUMMARY

Equipments	Standard	Option
Slewing by rack	<input type="radio"/>	
Double linkage	<input type="radio"/>	
Manual pull-out outrigger booms	<input type="radio"/>	
Hydraulic pull-out outrigger booms ¹		<input type="radio"/>
Hydraulic flip up outriggers		<input type="radio"/>
Oil cooler		<input type="radio"/>
Proportional hydraulic control valve block	<input type="radio"/>	
Multifunction radio control	<input type="radio"/>	
Jib		<input type="radio"/>
Hydraulic winch on crane		<input type="radio"/>
Hydraulic winch on the Jib		<input type="radio"/>
Hose reel		<input type="radio"/>
Hose racks supplementary		<input type="radio"/>
Manual extensions		<input type="radio"/>
Stability Power System*		<input type="radio"/>
Regenerative valve	<input type="radio"/>	
CDS valve	<input type="radio"/>	
Safety Kit for outriggers*		<input type="radio"/>
4 metres alarm sensor with control panel in cab *		<input type="radio"/>
Ball-joint outrigger plates *		<input type="radio"/>
Slewing limiter locking device		<input type="radio"/>
LMU Device: control system for manual extensions		<input type="radio"/>
Slewing lock valve		<input type="radio"/>
Electronic Slewing lock with variable setting		<input type="radio"/>
LC configuration		<input type="radio"/>
Oil tank		<input type="radio"/>

*compulsory for CE area

¹standard from XL version

CERTIFICATION



In accordance to the EU safety standards



3 years of warranty on the structural parts



Quality Certificate
UNI EN ISO
9001:2008



In accordance to H1-B3 standard



Certified painting system



truck mounted cranes



Multi connection quick coupling



Stability control device



Electronically controlled winch



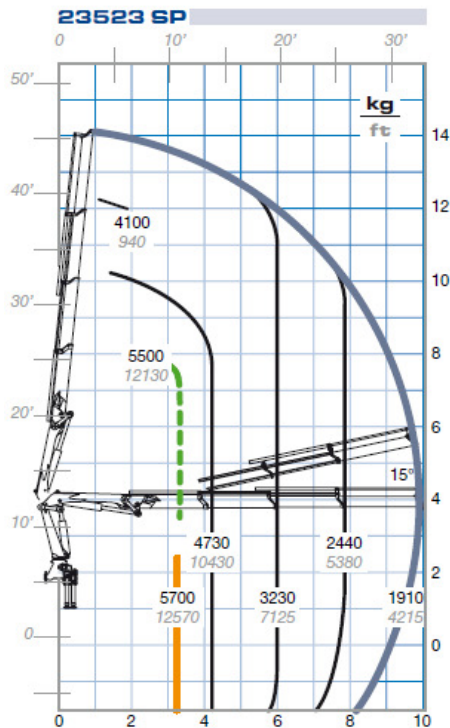
180° hydraulic swing up outriggers

PM 23.5 SP



truck mounted cranes

Gold Series



Only with LC version



Max. capacity from horizontal to vertical

TECHNICAL INFORMATION PM 23523SP

Maximum lifting moment	tm 19,8 ft lbs 143210
Hydraulic outreach	
Horizontal	m 9,95 ft 32'8"
Vertical	m 13,90 ft 45'7"
Hydraulic system	
Max. oil flow	l/min 80 gals/min 21
Max. pressure	Mpa 30,5 Psi 4420
Oil tank capacity	l 150 gals 40
Slewing system	
Slewing angle	400°
Slewing momen t	kNm 27,3 ft lbs 20140
Max. working heel	%(°) 8,7(5)
Standard crane weight	
Empty oil tank	Kg 2275 lbs 5020
LC version	Kg 2395 lbs 5285

Technical data can be revised without prior notice.

TRUCKING CRANE COMBINATION

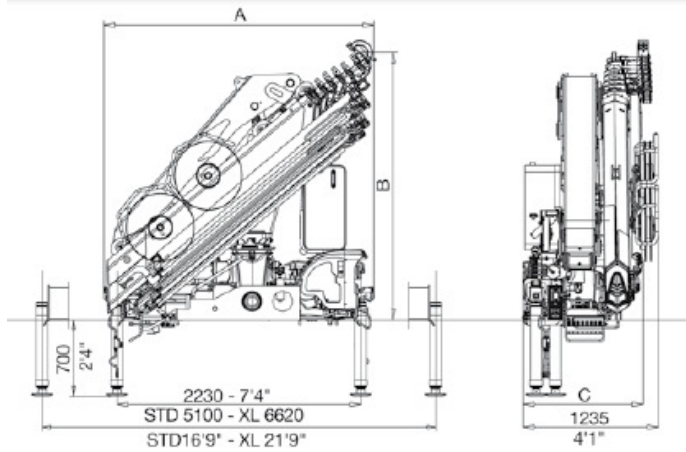
PTT/GVW	23.5SP	2STD	2 outriggers STD
18,0 TON	4		
19,0 TON	2 XL		
PTT/GVW	23.5SP	2 XL	2 outriggers XL
26,0 TON	2STD		
32,0 TON	2STD		
PTT: G.V.W.	4		4 outriggers

PM 23.5 SP



truck mounted cranes

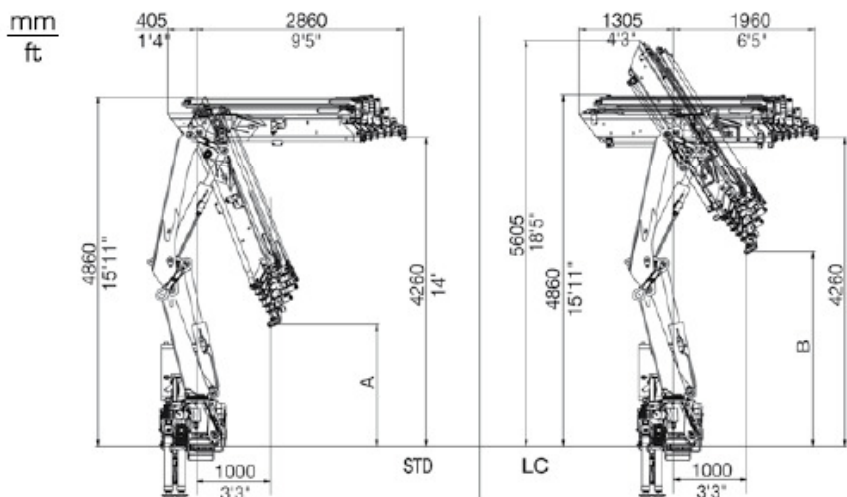
DIMENSIONS Standard Crane



	STD	SXL
A (mm) (ft)	2455 8'1"	2480 8'2"

23523SP	
B (mm) (ft)	2250 7'5"
C (mm) (ft)	980 3'3"

WORKING POSITIONS



23523SP	
A (mm) (ft)	2090 6'10"
B (mm) (ft)	3135 10'3"

ACCESSORIES



Variable pump



PTO



Clamshell Buckets



Cross Beams for car lifting



Pallet forks



Augers



Swivel Hooks



Clamshell Buckets



Log Grabs



Brick Grabs



Supplementary Outrigger



Hydraulic Grapples



Operator Baskets and Self-Levelling Platforms