

# PM 50.5 SP



Gold Series



## DESCRIPTION TECHNICAL FEATURES

Up to 9 hydraulic extensions, PM 50.5 SP series ensure high performance, maximum efficiency and high level of reliability.

**Articulation with the exclusive PM link system**, increase the crane efficiency. The crane can operate with same performance and constant outreach, in every vertical configuration of the crane. The **New Power Tronic Advance Plus** and the **new radio remote control with display** ensure extreme precision and high safety. **Maximum stability** thanks to XL outriggers (6,6 m) or XXL (8 m). 15° negative angle on secondary boom to work in narrow spaces with maximum flexibility. 395° rotation angle increases the crane productivity and with time saving. The crane can reach an horizontal outreach up to 23,40 m.

## STANDARD EQUIPMENT

### POWER TRONIC ADVANCES PLUS

Maximum crane performance, maximum safety in every working condition

### RACK AND PINION

### HYDRAULIC OUTRIGGER BOOMS

### EXTENSION SEQUENCE BOOMS

### SLEWING LOCK VALVE

### MULTIFUNCTION RADIO REMOTE CONTROL

### PROPORTIONAL HYDRAULIC CONTROL VALVE BLOCK COMPENSATED

### ELECTRONIC MOMENT CONTROL DEVICE

### DOUBLE LINKAGE

# PM 50.5 SP



Gold Series

## OPTIONAL

JIB

HYDRAULIC WINCH ON CRANE

HYDRAULIC WINCH ON JIB

HOSE REEL/HOSE TRAYS

180° HYDRAULIC SWING UP  
OUTRIGGERS

## EQUIPMENTS SUMMARY

EQUIPMENTS	Standard	Optional
Rack and Pinion	<input type="radio"/>	
Double linkage	<input type="radio"/>	
Hydraulic outrigger booms	<input type="radio"/>	
Remote controlled stabilizers (MCS System)*		<input type="radio"/>
180° Hydraulic swing up outriggers		<input type="radio"/>
Extension sequence booms	<input type="radio"/>	
Oil cooler	<input type="radio"/>	
Proportional hydraulic control valve block compensated	<input type="radio"/>	
Radio remote control with display	<input type="radio"/>	
Regenerative valve	<input type="radio"/>	
Jib		<input type="radio"/>
Hydraulic winch on crane		<input type="radio"/>
Hydraulic winch on jib		<input type="radio"/>
Hose reel/hose trays		<input type="radio"/>
Stability Power System*		<input type="radio"/>
Safety Kit for outriggers*	<input type="radio"/>	
Ball-joint outrigger plates *		<input type="radio"/>
4 metres alarm sensor with control panel in cab *		<input type="radio"/>
Slewing limiter	<input type="radio"/>	
LMU Device: control system for manual extensions*	<input type="radio"/>	
LED work lamp		<input type="radio"/>
Top seat with radio control support		<input type="radio"/>

\* Compulsory for totally CE configurations



In accordance to the EU safety standards



Sistema di gestione per la qualità certificato UNI ISO 9001:2008



In accordance to HD5S2 standard



3 years of warranty on the structural parts

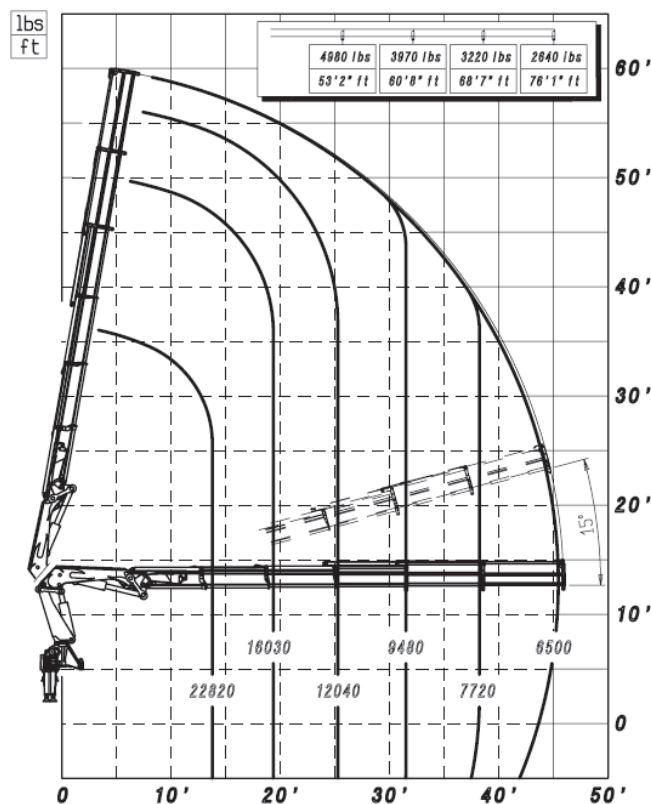
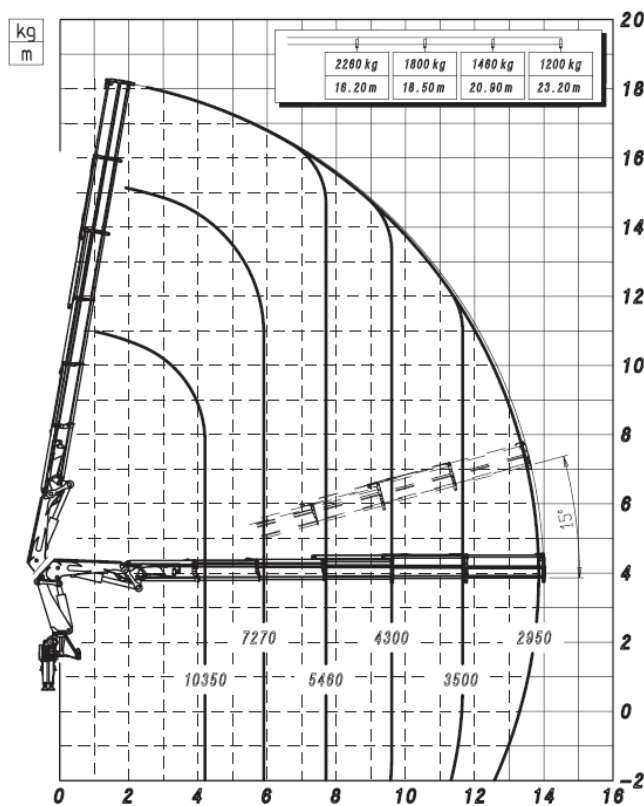
# PM 50.5 SP



truck mounted cranes

## PM 50525 SP

Gold Series



### TECHNICAL DATA PM 50525 SP

<b>Maximum lifting moment</b>	<b>tm 43,5</b>	<b>Ft lbs 314420</b>
Hydraulic outreach		
Horizontal	m 14	Ft 45'11"
Vertical	m 18,45	Ft 60'6"
Hydraulic system		
Max. oil flow	l/min 80 ÷ 100	(USA) 21 ÷ 26
Max. pressure	Mpa 34,5	Psi 5000
Oil tank capacity	l 200	(USA) 53
Slewing system		
Slewing angle	395°	395°
Slewing torque	kNm 53	Ft lbs 39090
Max. working heel	%(°) 8,7(5)	%(°) 8,7(5)
Standard crane weight		
Empty oil tank	Kg 4855	lbs 10705

### TRUCKING CRANE COMBINATION

PTT/GVW	50,5	4	4 outriggers
26,0 TON	4		
32,0 TON	4		



GVW: Gross Vehicle Weight

TECHNICAL DATA, DESCRIPTIONS AND ILLUSTRATIONS ARE MERELY INDICATIVE AND NOT BINDING. PM GROUP RESERVE THE RIGHT TO UPDATE THEM WITHOUT NOTICE.

# PM 50.5 SP

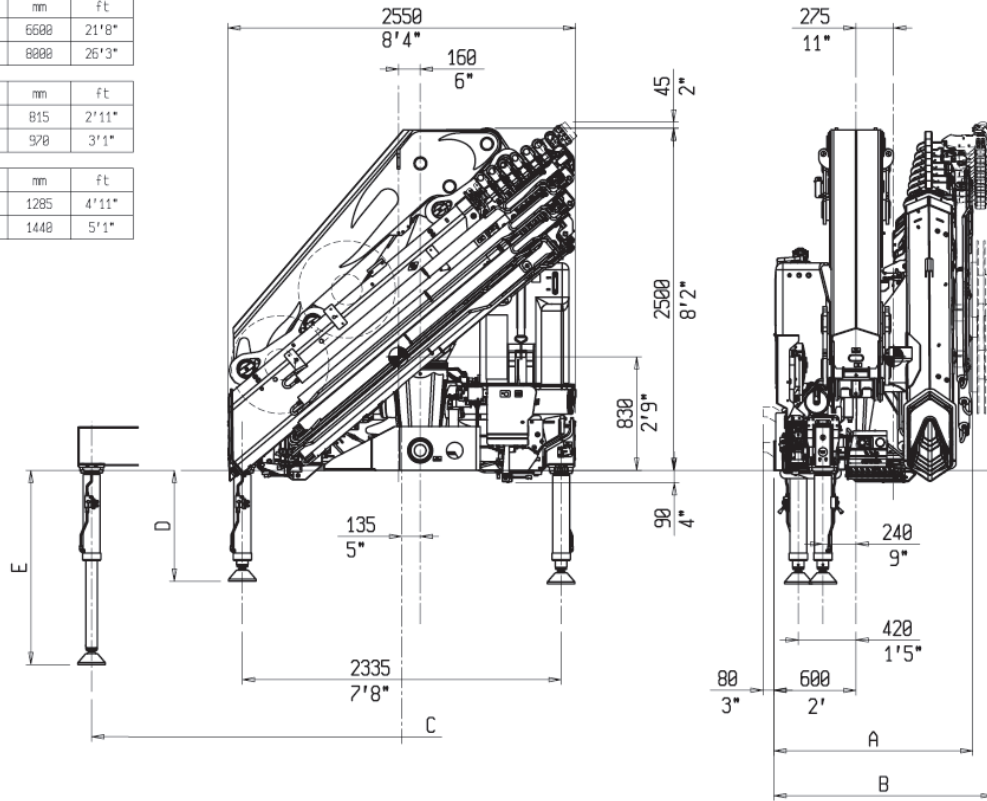


## DIMENSIONS Standard crane

C	mm	ft
XL	6600	21'8"
SXL	8000	26'3"

D	mm	ft
Fix.	815	2'11"
Rot.	970	3'1"

E	mm	ft
Fix.	1285	4'11"
Rot.	1440	5'1"



A	mm	ft
Vers. 25	1330	4'4"

B				
	mm	ft	mm	ft
Vers. 25	1565	5'2"	----	----

Gold Series

### ORIGINAL PM PARTS

### ACCESSORIES\*



Variable pump



PTO



Fixed pump



Clamshell Buckets



Cross Beams for car lifting



Pallet forks



Swivel Hooks



Augers



Supplementary Outrigger



Log Grabs



Operator Baskets and Self-Levelling Platforms



Hydraulic Grapples



Hydraulic Rotors



Brick Grabs

\* The installation is to be verify in relation to crane and truck configuration