

PM 4



truck mounted cranes



TECHNICAL DATA

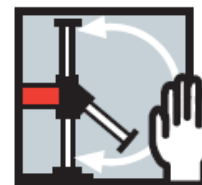
Series PM4 falls in the small cranes segment. It is particularly versatile and easy to install onto light commercial vehicles. In all of its four configurations it is equipped with manual controls. Thanks to 4 hydraulic extensions it reaches 8.85m horizontally and 11.65m vertically.

STANDARD CONFIGURATION

SLEWING BY RACK

MANUAL FLIP UP OUTRIGGERS

MANUAL PULL-OUT
OUTRIGGER BOOMS



PM 4



truck mounted cranes

OPTIONAL

OIL COOLER

SCANRECO MULTIFUNCTION
RADIO CONTROL

OIL TANK

HAWE PROPORTIONAL
HYDRAULIC CONTROL VALVE
BLOCK

HYDRAULIC MOMENT
CONTROL DEVICE

HOSE REEL

EQUIPMENTS SUMMARY

Equipments	Standard	Option
Slewing by rack	<input type="radio"/>	
Manual pull-out outrigger booms	<input type="radio"/>	
Manual flip-up outrigger	<input type="radio"/>	
Oil cooler		<input type="radio"/>
Hawe proportional hydraulic control valve block		<input type="radio"/>
Scanreco multifunction radio control		<input type="radio"/>
Hose reel		<input type="radio"/>
Safety Kit for outriggers*	<input type="radio"/>	
4 metres alarm sensor with control panel in cab *		<input type="radio"/>
Ball-joint outrigger plates *		<input type="radio"/>
Hydraulic moment control device		<input type="radio"/>
Oil tank		<input type="radio"/>

*compulsory for CE area

CERTIFICATION



In accordance to the
EU safety standards



3 years of warranty
on the structural
parts



Quality Certificate
UNI EN ISO
9001:2008



In accordance to
H1-B3 standard



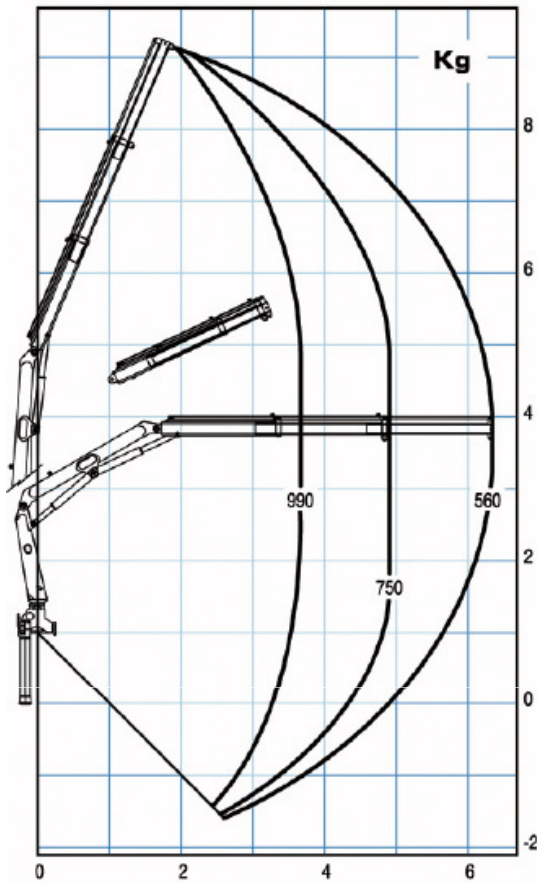
Certified painting
system

PM 4



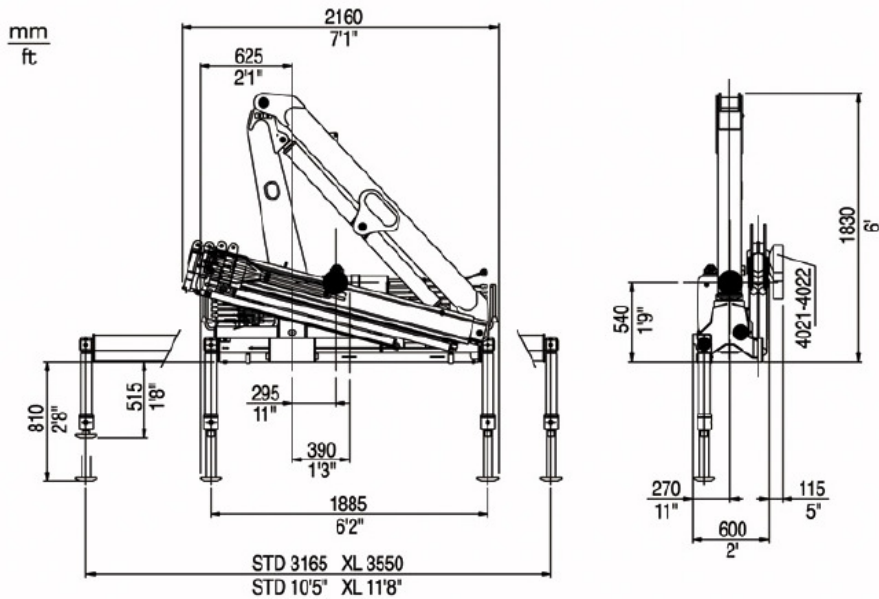
truck mounted cranes

4022



DIMENSIONS

Standard Crane



PM 4



truck mounted cranes

TECHNICAL INFORMATION PM 4022

Maximum lifting moment	tm 3,8 ft lbs 27120
Max. hydraulic reach	
horizontal	m 6,40 ft 20'12"
Vertical	m 9,15 ft 30'0"
Max. reach with manual extensions	
horizontal	m 9,10 ft 29'10"
Vertical	m 11,70 ft 38'5"
Hydraulic system	
recommended oil flow	l/min 10 gals/min 3
rated pressure	Mpa 24,5 Psi 3550
tank capacity	l 38 Gals 10
Slewing system	
slewing angle	360°
slewing moment	kNm 4,5 ft lbs 3320
max. working heel	%(°) 7(4)
Standard crane weight	
empty oil tank	Kg 570 lbs 1260

Technical data can be revised without prior notice.

TRUCKING CRANE COMBINATION

PTT/GVW	4	2STD	
3,5 TON	4		2 outriggers STD
5,0 TON	2 XL		
6,0 TON	2 STD		
6,5 TON	2STD	2 XL	2 outriggers XL
7,5TON	2STD		
8 TON	2STD		
10TON	2STD		
12 TON	2STD	4	4 outriggers
13,5TON	2STD		
15TON	2STD		
18 TON	2STD		PTT: G.V.W.
19 TON	2STD		
26 TON	2STD		
32 TON	2STD		